



sensing the
FUTURE

InvenSense Developers Conference 2016

InvenSense
ICM-30670 SH



Sensor S/W Development Kit System Blocks

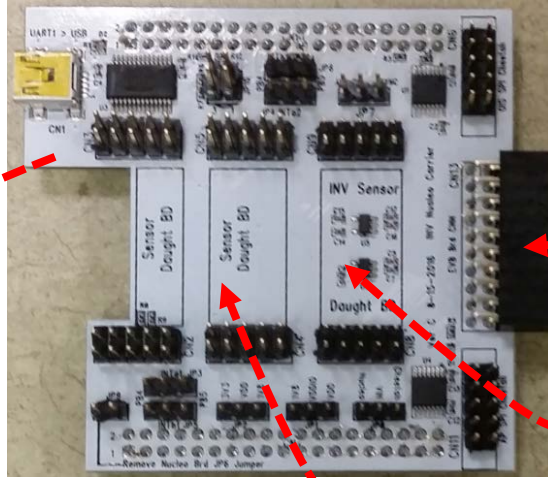
Sheena Shi
Sr. System Hardware Manager



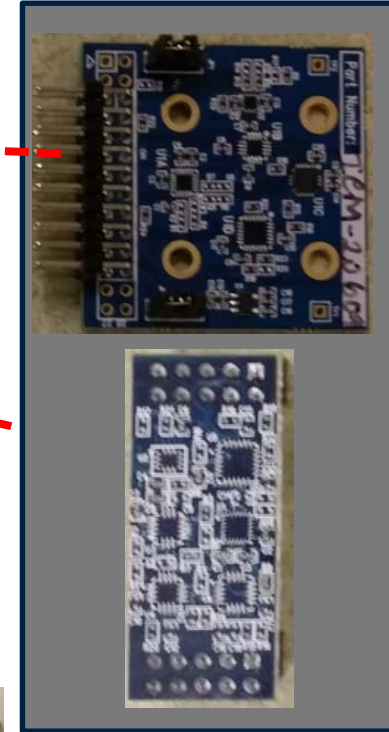
Multiple Host and Slave Options

sensing the
FUTURE

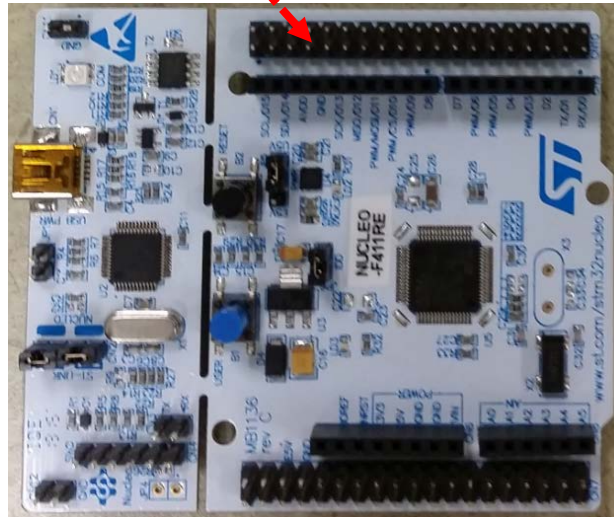
Nucleo Sensor Carrier



INV Sensor



OR



STM32F411 Nucleo Brd



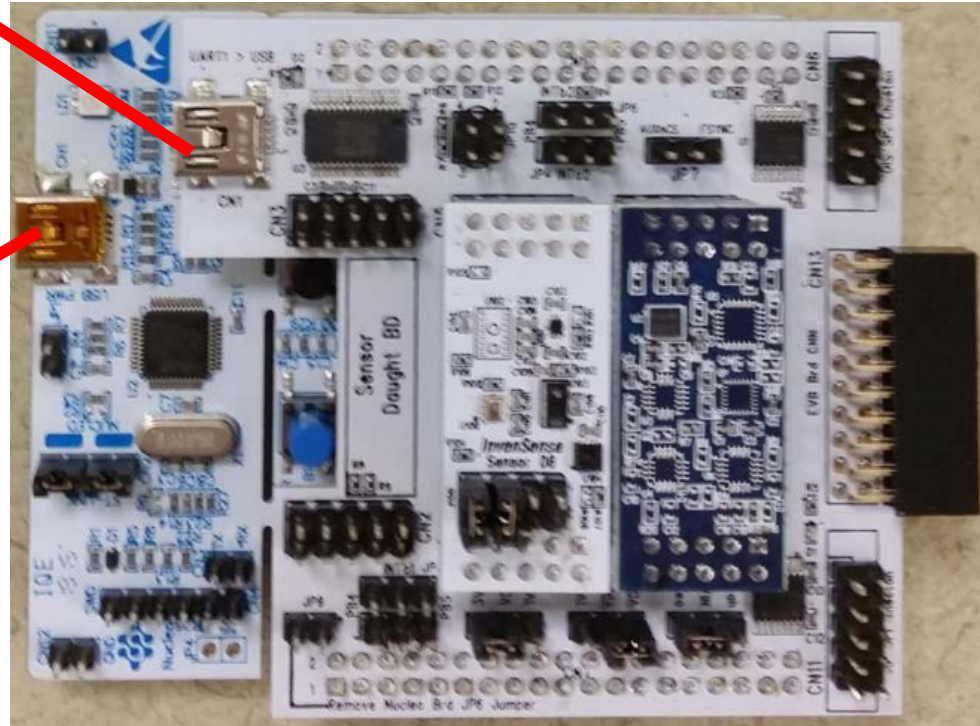
Other Sensor (Magnetics, Pressure, Light..)

Host PC Connections (USB > Virtual COM Port)

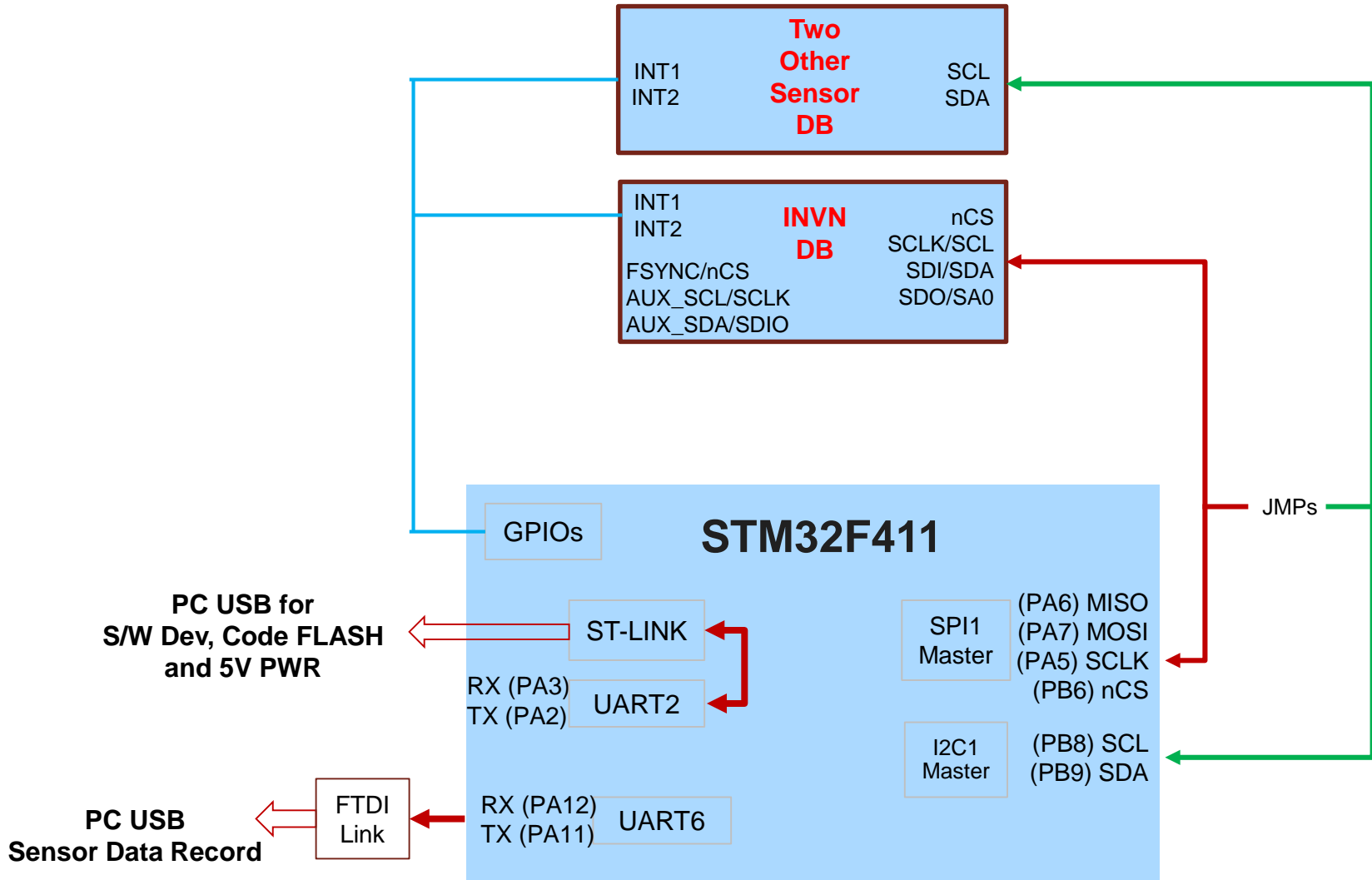
sensing the
FUTURE

For Sensor Data Record
(No 5V connection)

ST Link for S/W
Development
and Code FLASH
(5V power input)

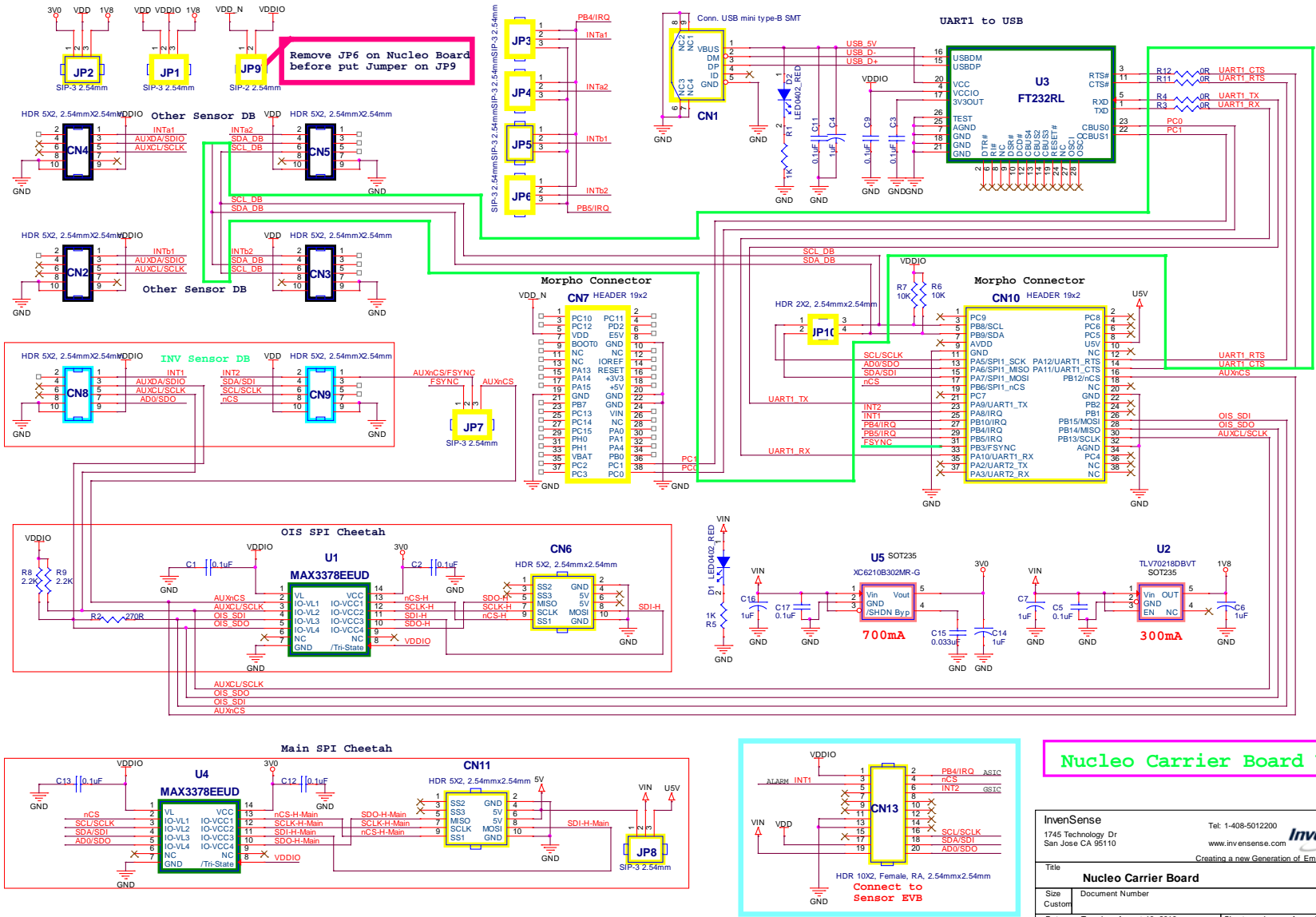


MCU Resource and Assignment



Sensor Carrier Brd Schematics

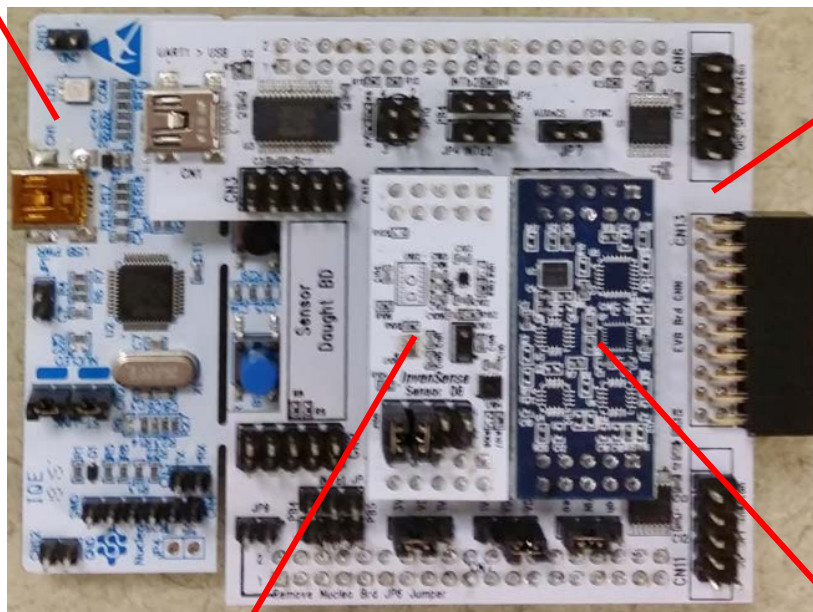
sensing the
FUTURE



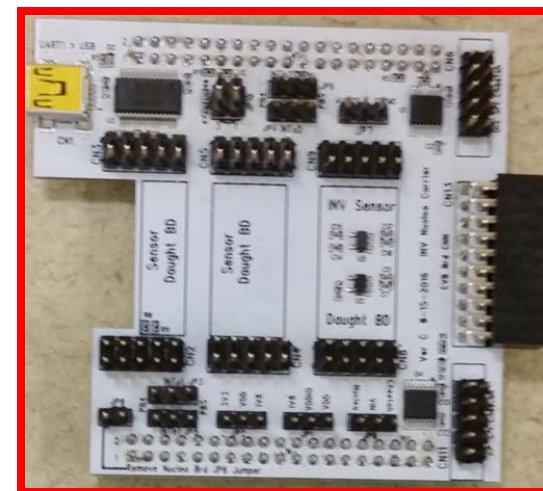
InvenSense		Tel: 1-408-5012200
1745 Technology Dr San Jose CA 95110		www.invensense.com
Creating a new Generation of Embedded Motion Sensors		
Title Nucleo Carrier Board		
Size	Document Number	Rev C
Custom		
Date: Tuesday, August 16, 2016	Sheet 1	of 2

Hardware Connection

STM32F411 Nucleo Brd



Nucleo Sensor Carrier



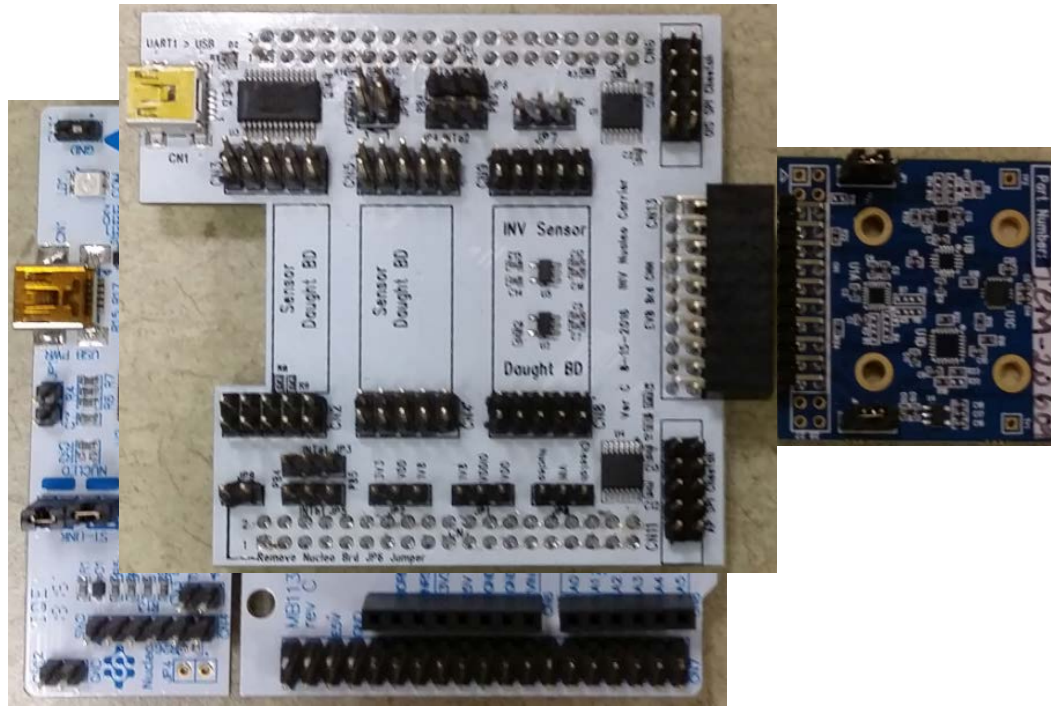
**Other Sensor
Daughter Brd**



**INV Motion Sensor
Daughter Brd**

Connect to InvenSense EVB

sensing the
FUTURE





Thank You

